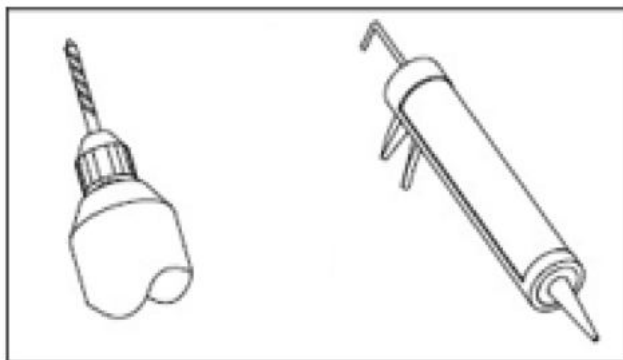
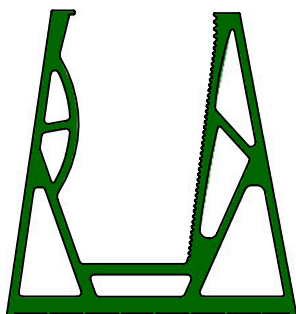


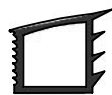
ΕΓΧΕΙΡΙΔΙΟ ΕΓΚΑΤΑΣΤΑΣΗΣ



41-660

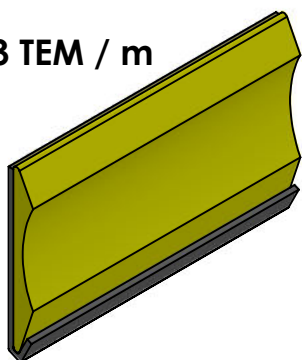


41-714



41-689 , 41-716

3 TEM / m

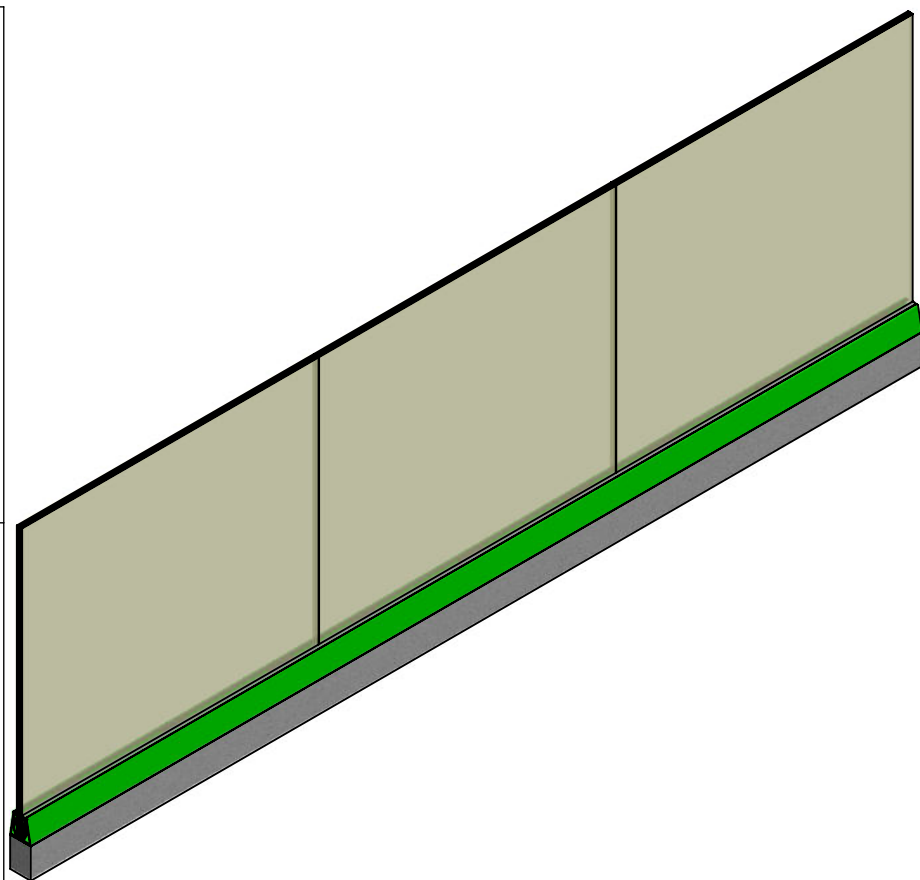
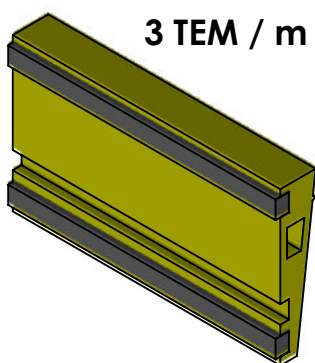


41-715

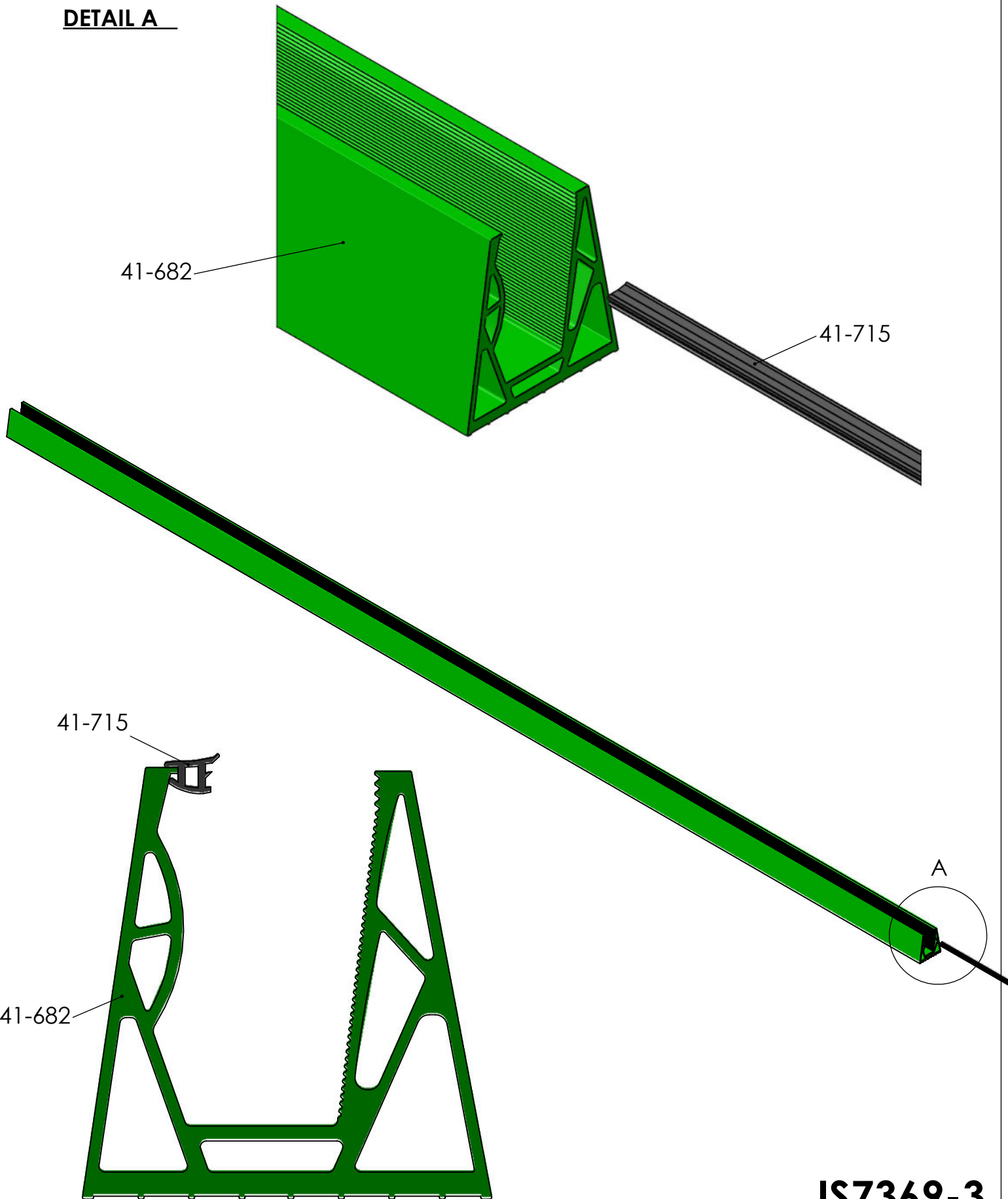


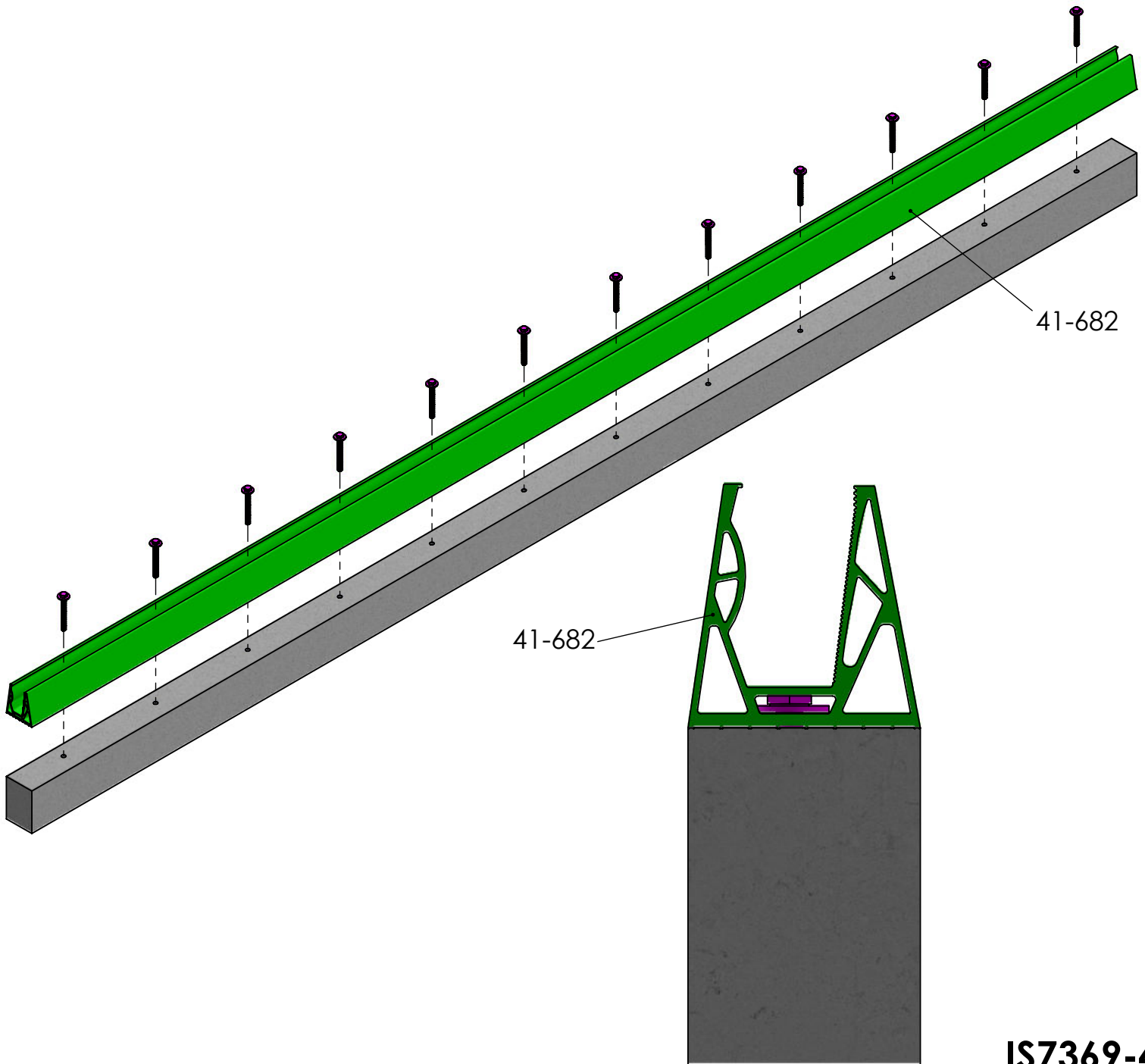
41-688 , 41-718

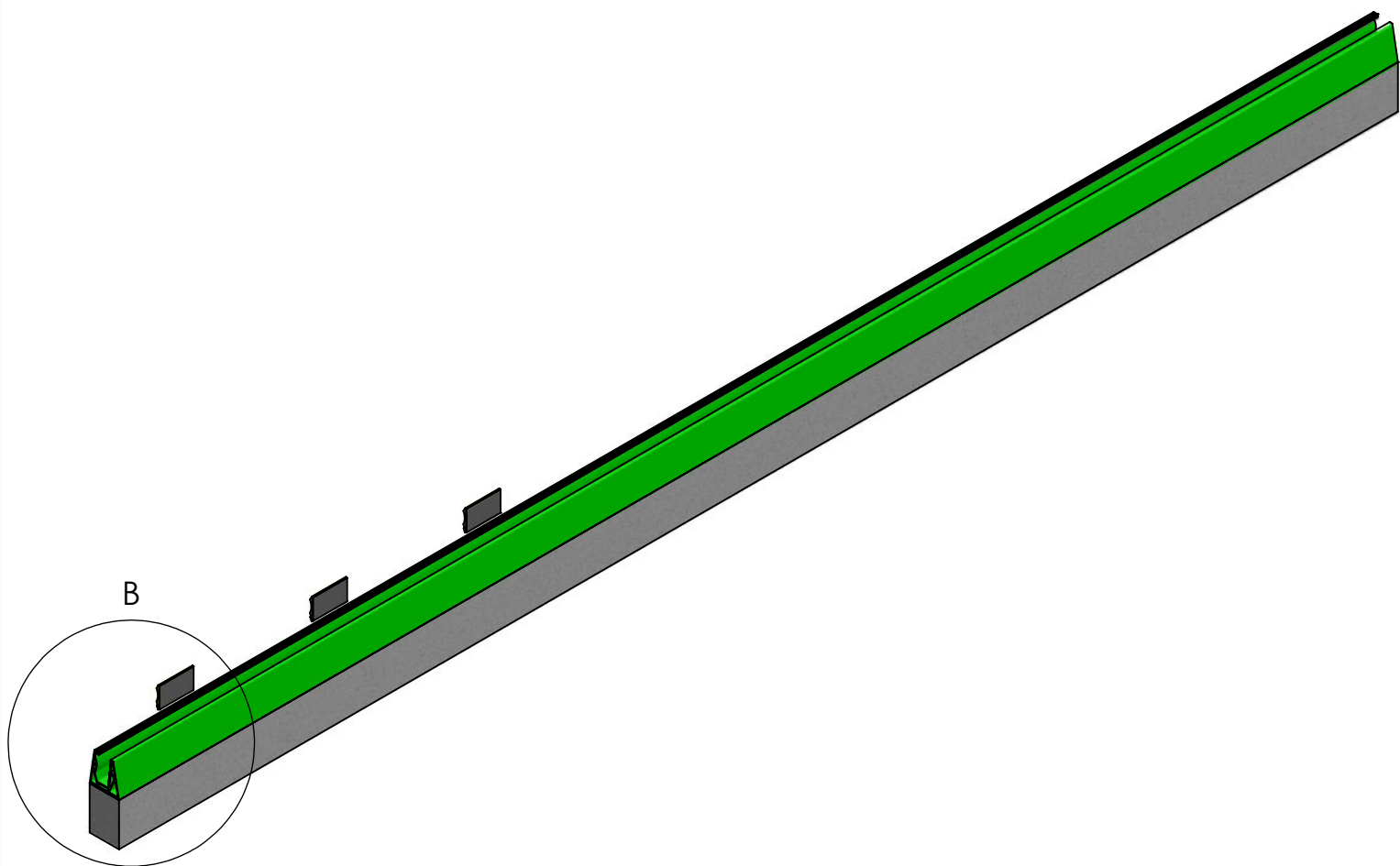
3 TEM / m



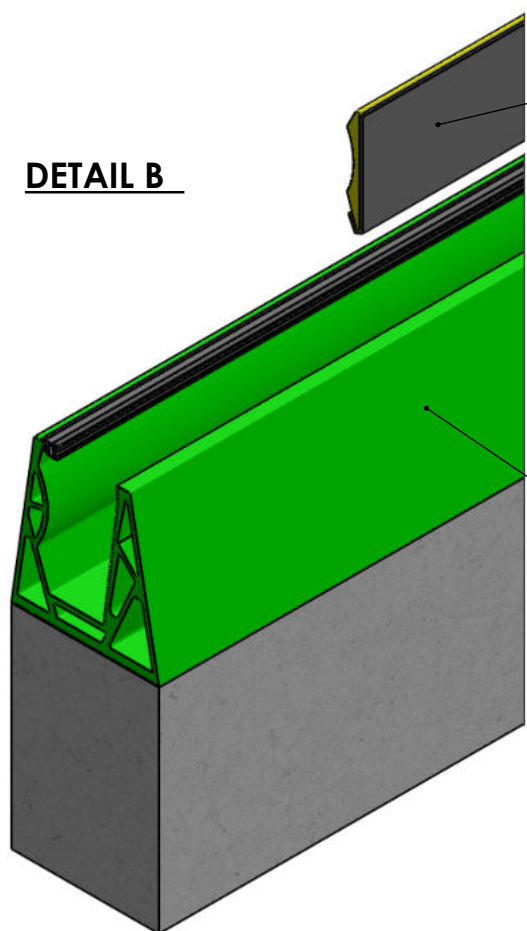
DETAIL A







DETAIL B

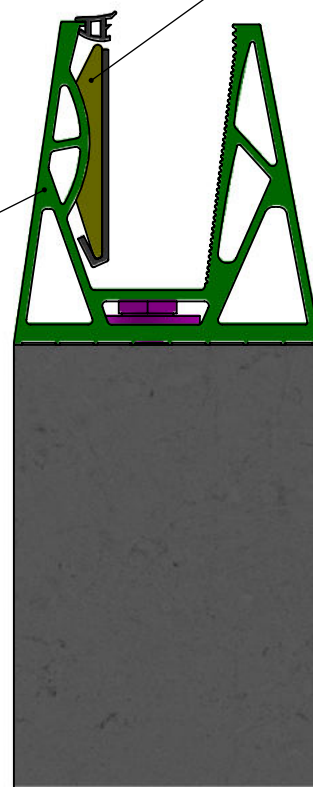


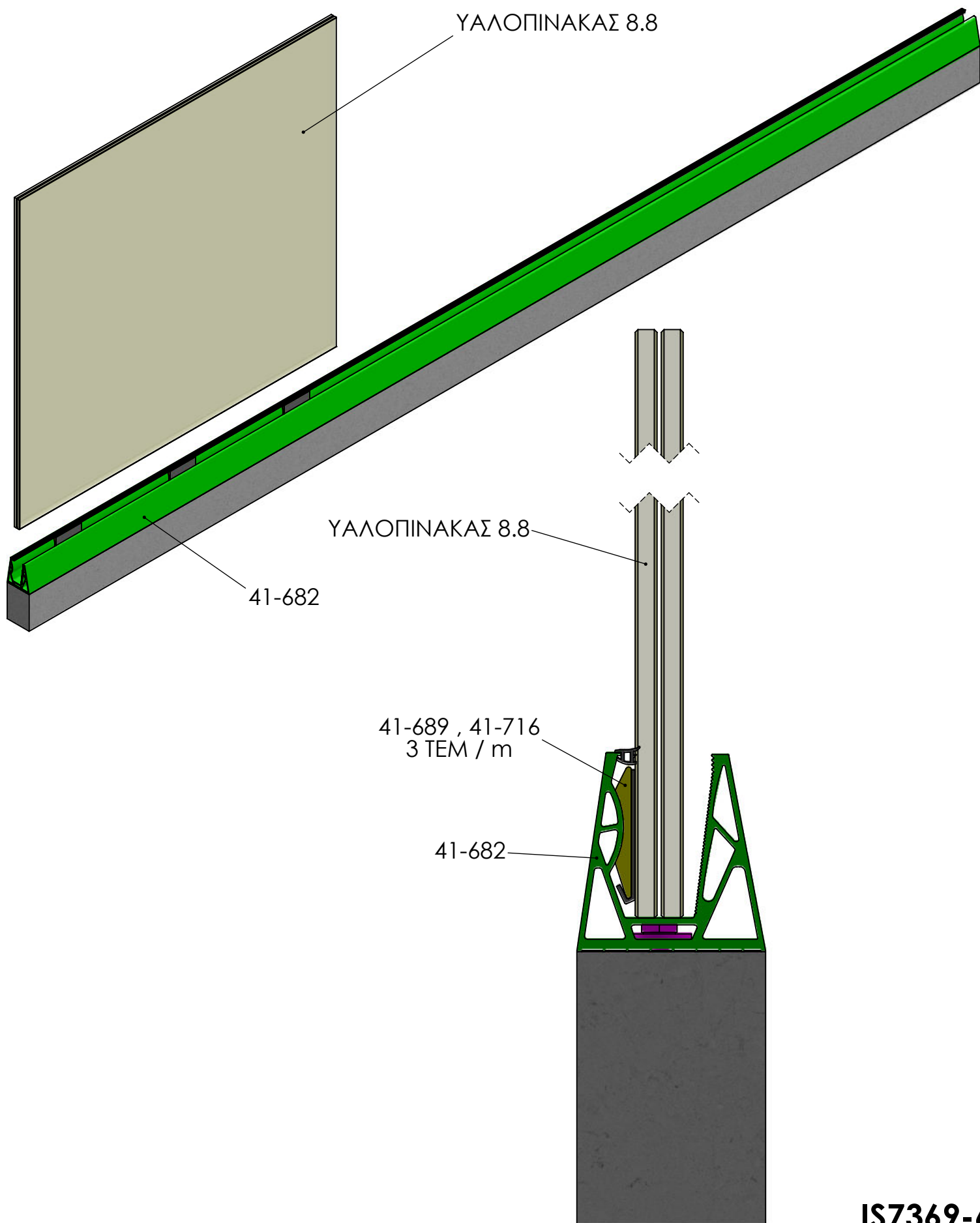
41-689 , 41-716
3 TEM / m

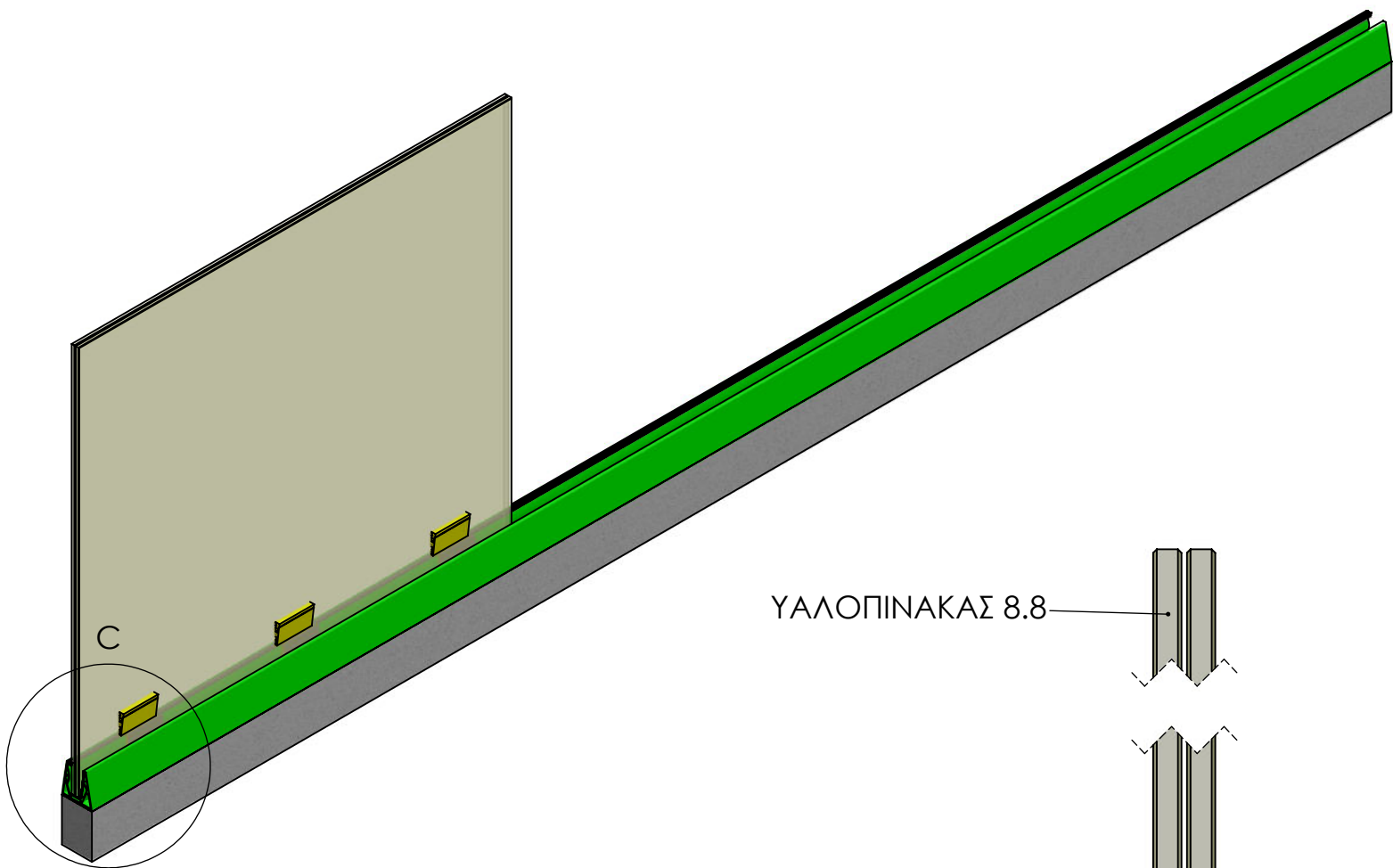
41-682

41-682

41-689 , 41-716
3 TEM / m

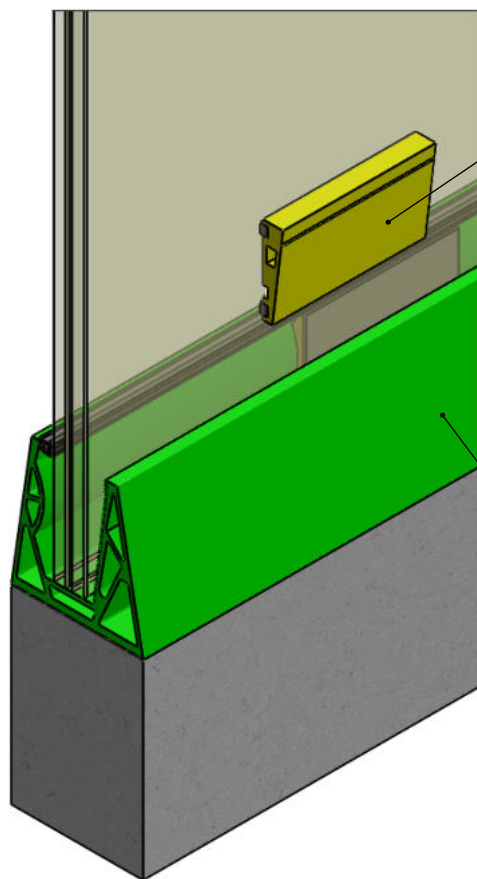






ΥΑΛΟΠΙΝΑΚΑΣ 8.8

DETAIL C



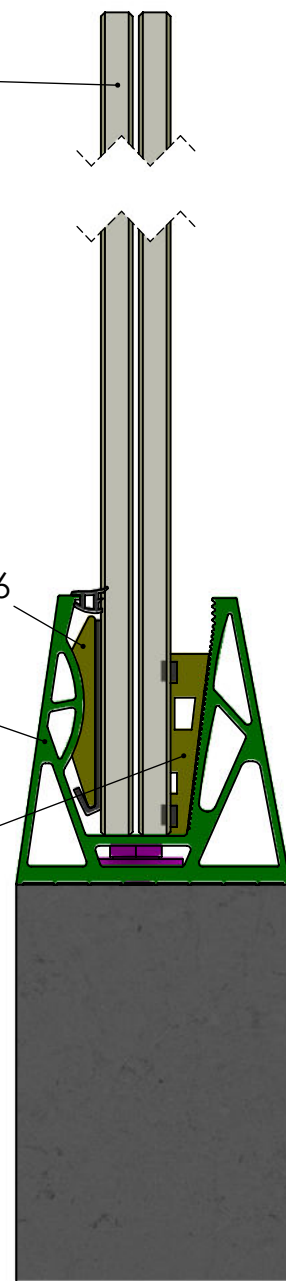
41-688 , 41-718
3 TEM / m

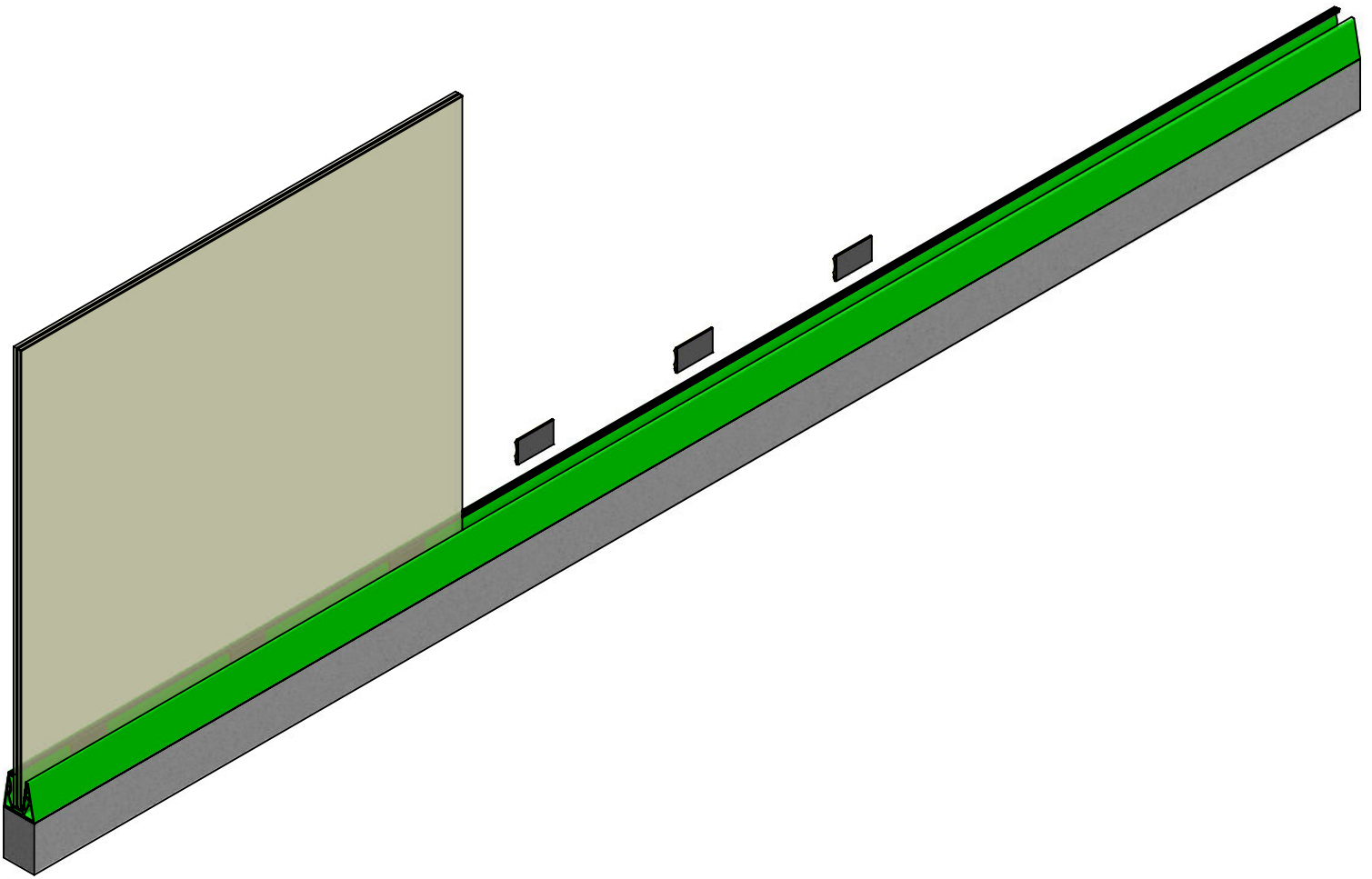
41-689 , 41-716
3 TEM / m

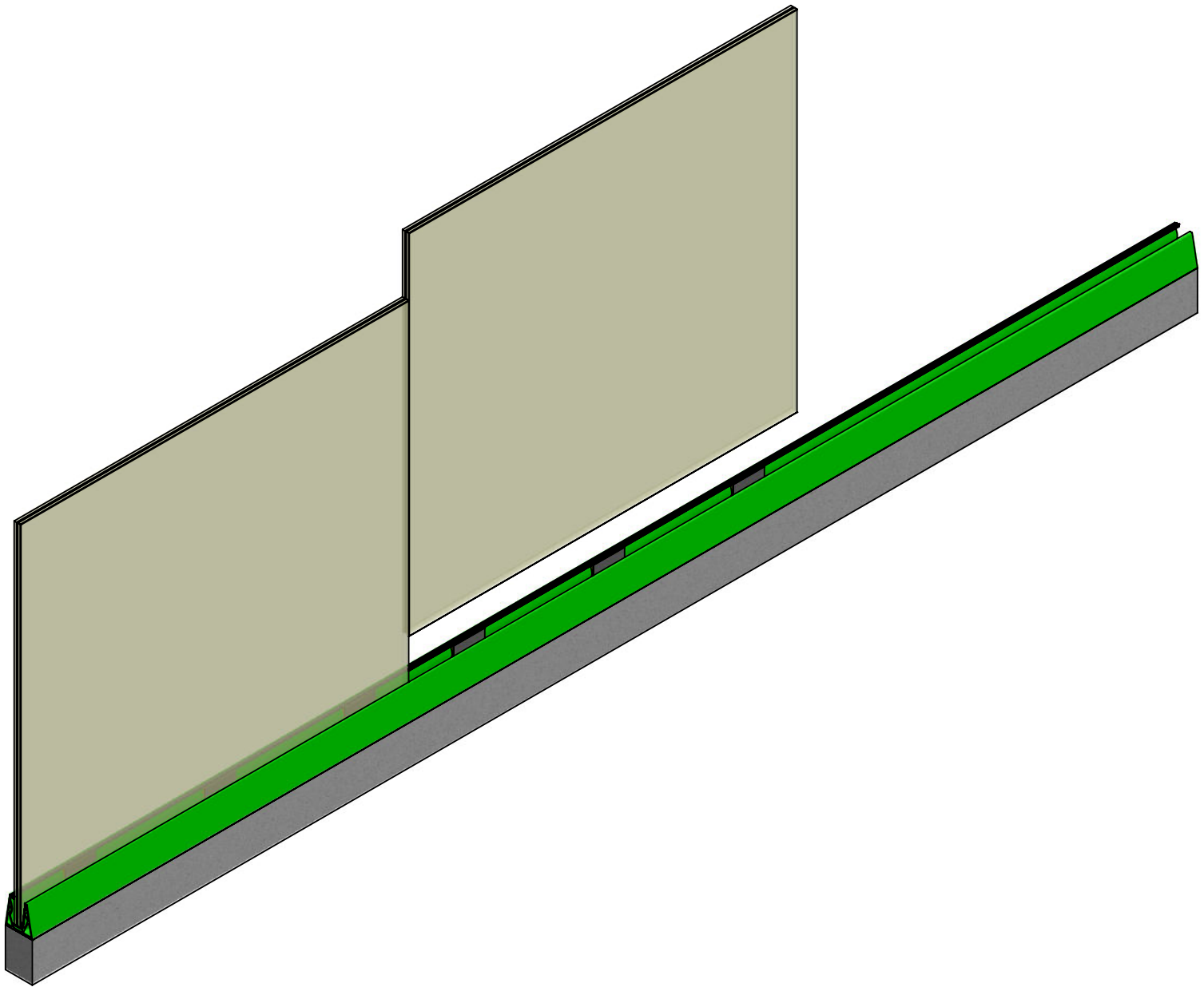
41-682

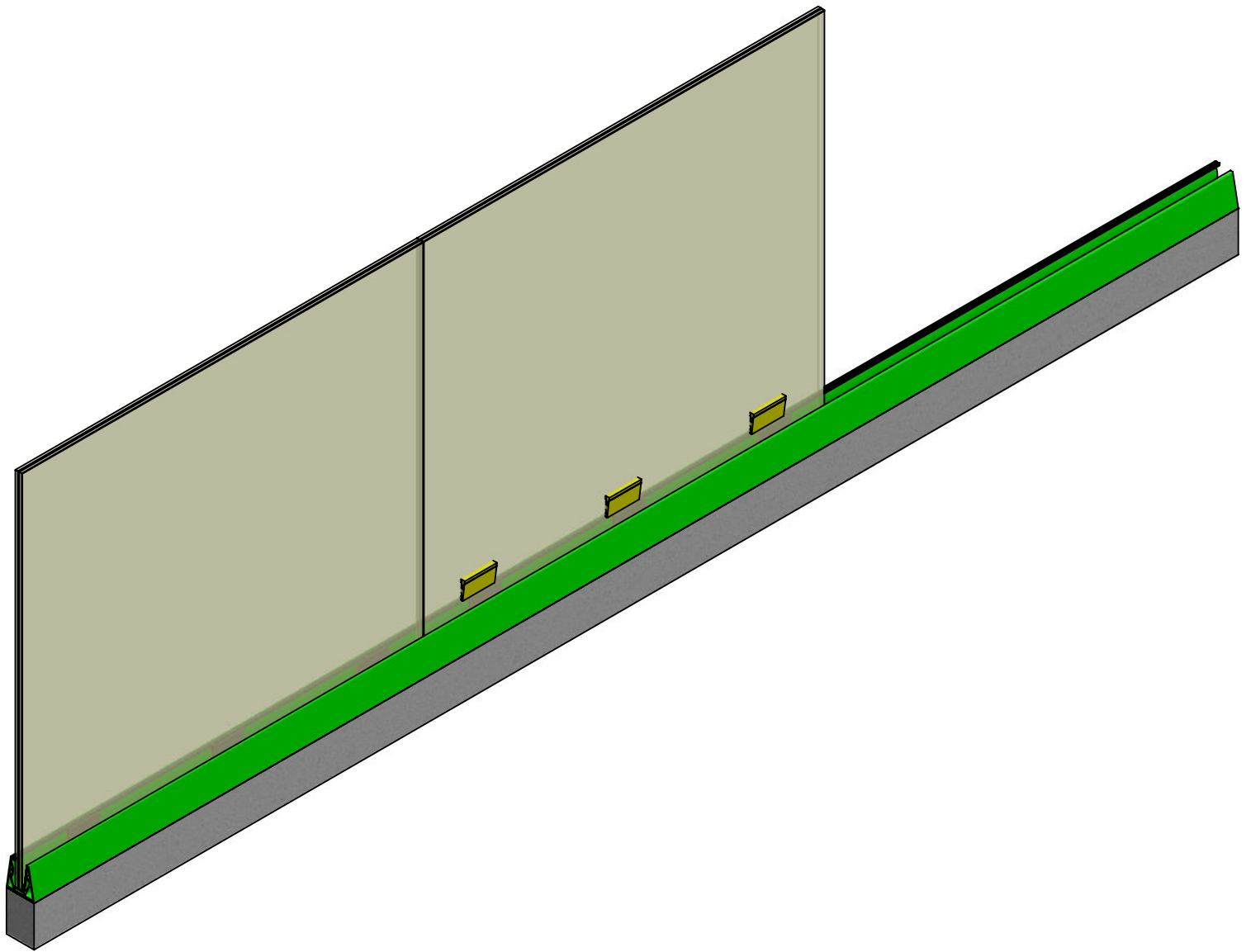
41-688 - 41-718
3 TEM / m

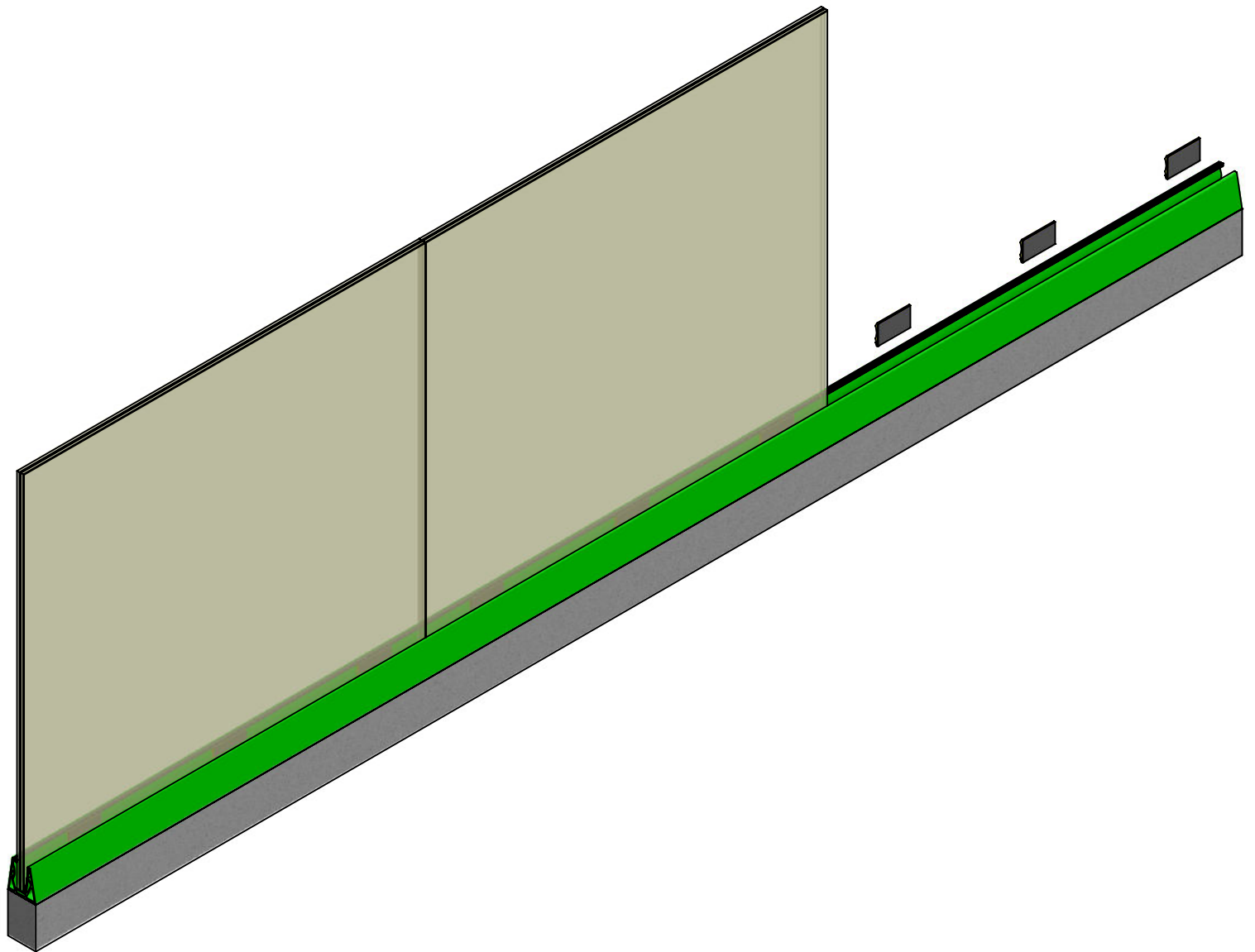
41-682

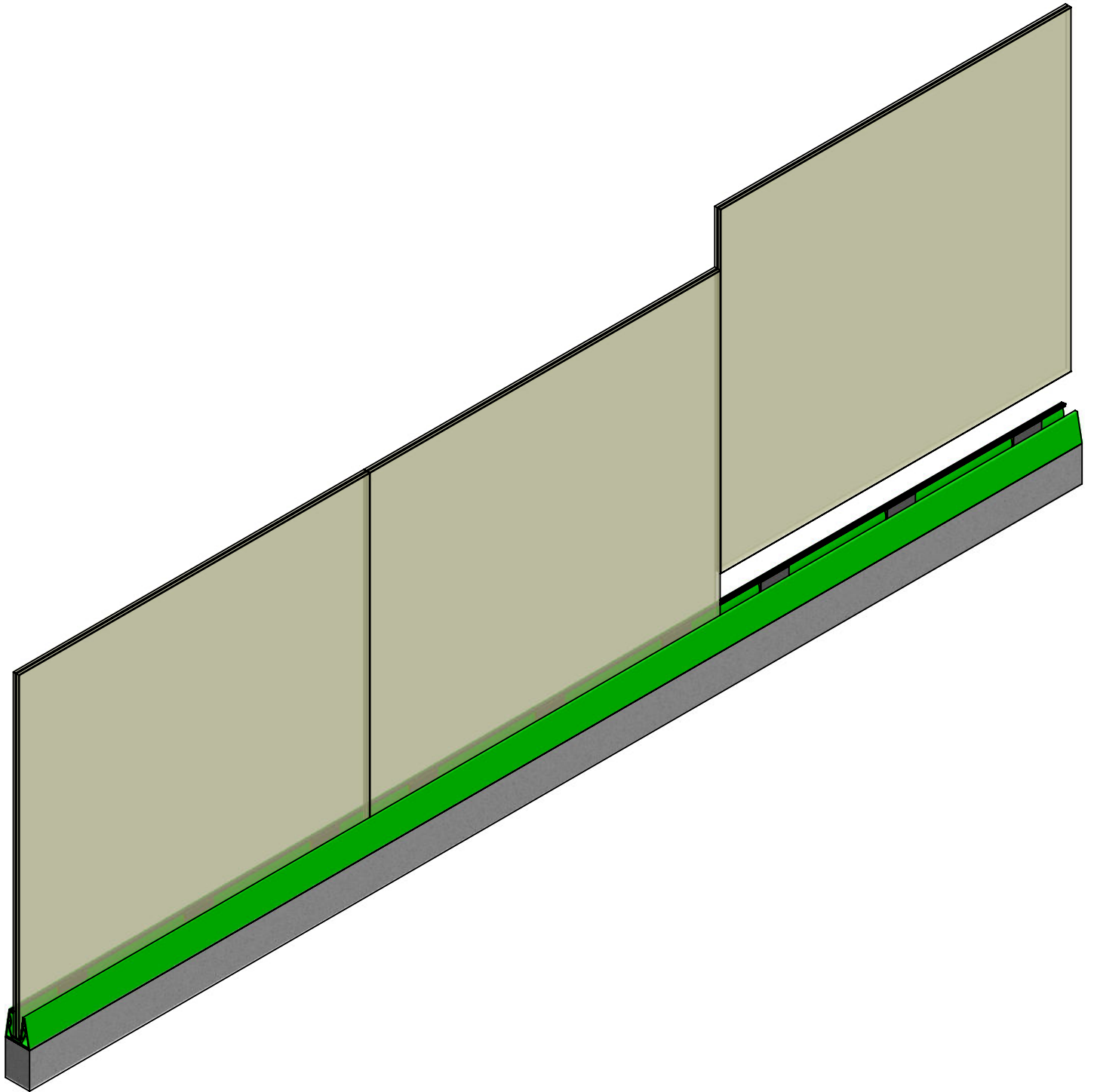


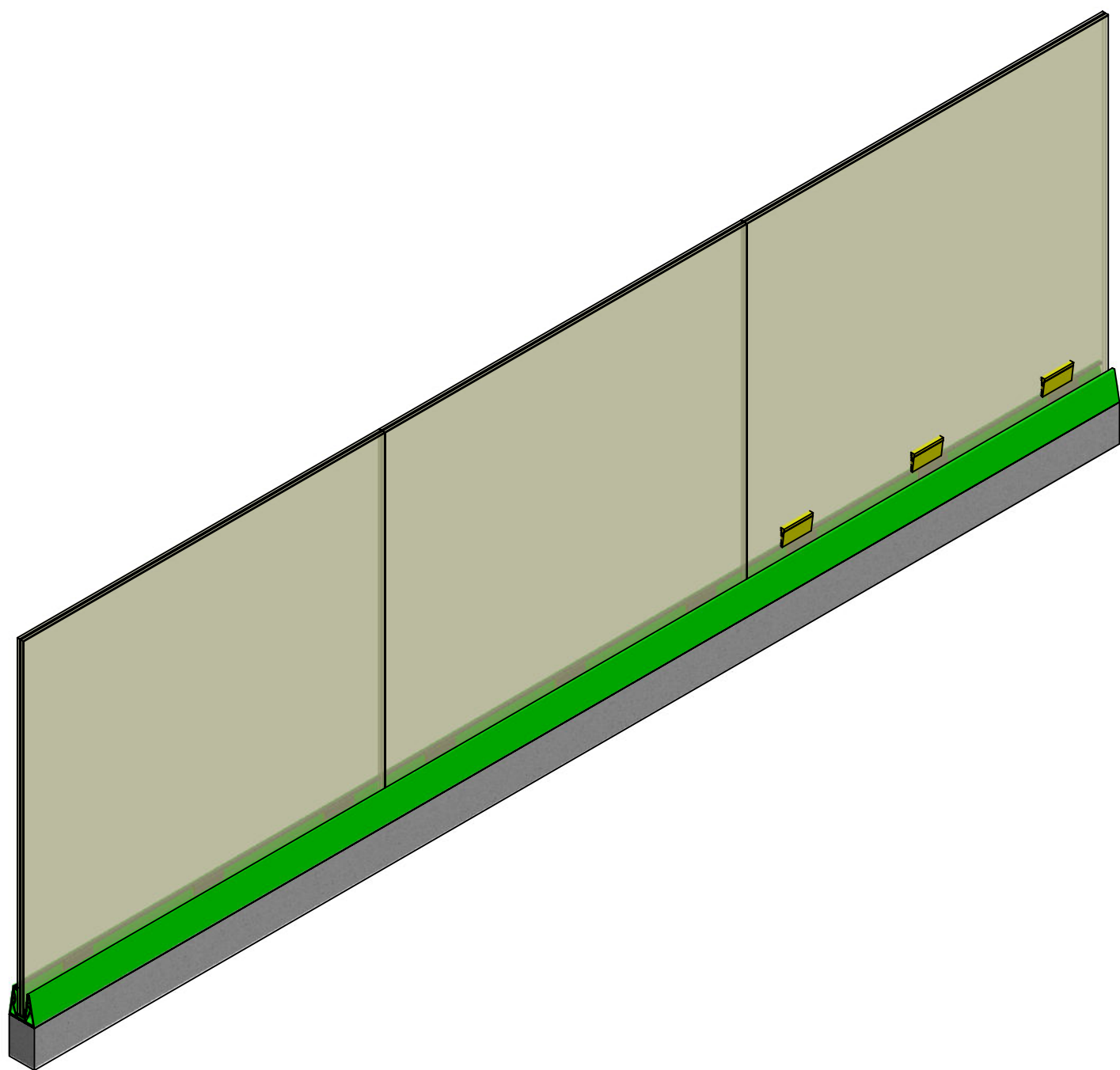


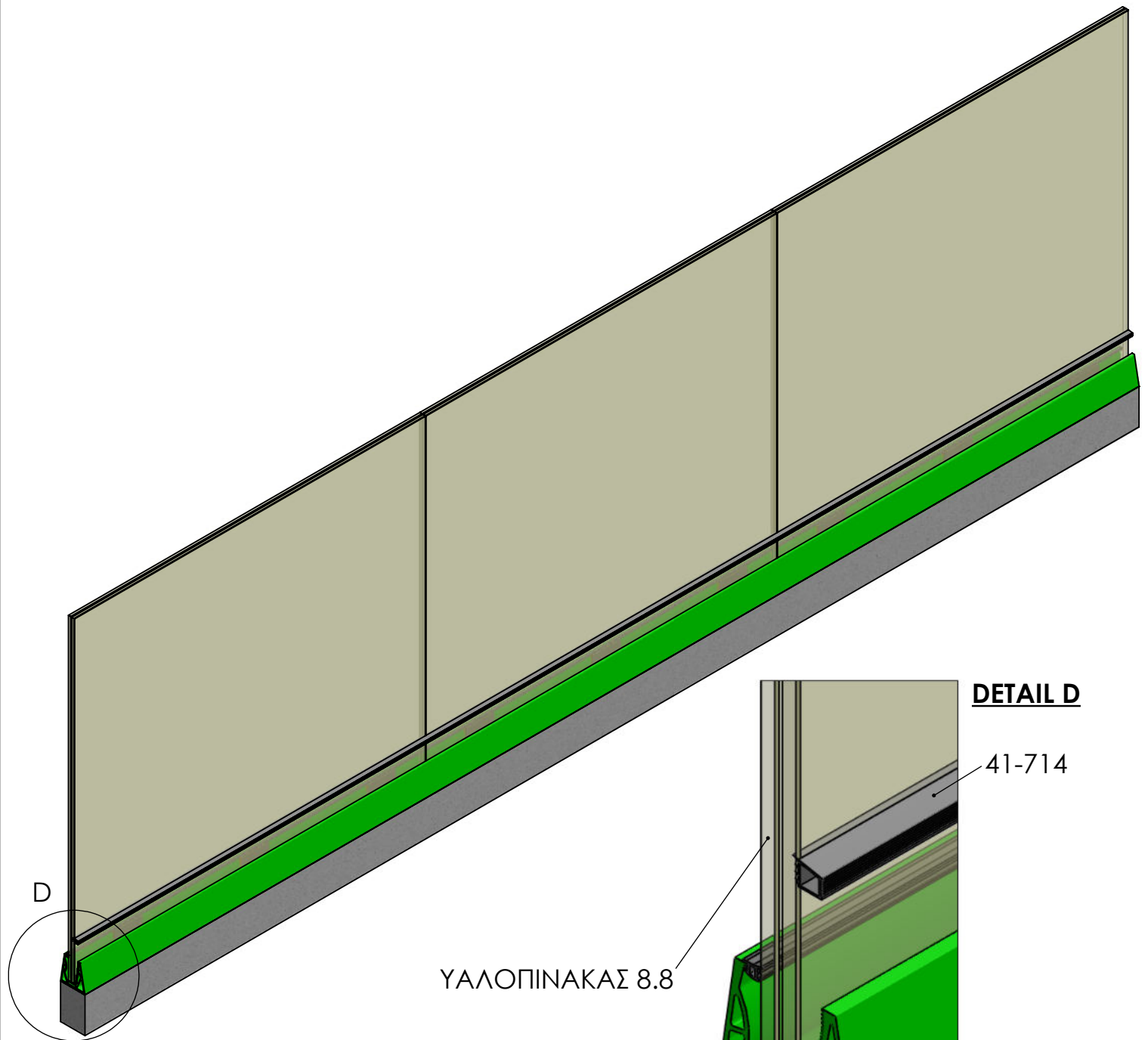












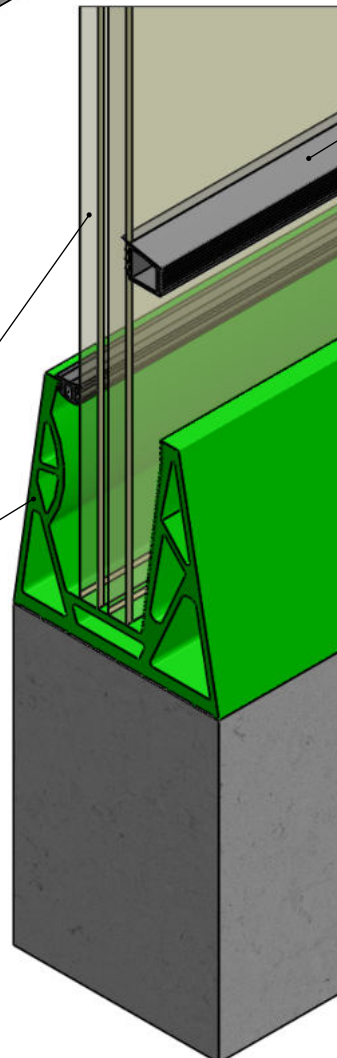
D

ΥΑΛΟΠΙΝΑΚΑΣ 8.8

41-682

DETAIL D

41-714



IS7369-14

